



Fence Post Bases

Creating a secure connection between posts and concrete bases is not the most exciting work a builder can do, but it is of utmost importance to ensure the stability and longevity of the structure.

The most common connections involve either sinking a pressure-treated post into concrete (strong, but shorter-lived due to the potential for rot) or using commercially available brackets that fasten the post above grade. Commercially available brackets get the job done, but the finished product may not look quite “finished.”

For a practical and elegant solution to this common dilemma, **IRONGRAIN** has designed post bases that are as beautiful as they are strong.



Street view



Street view close-up

IRONgrain

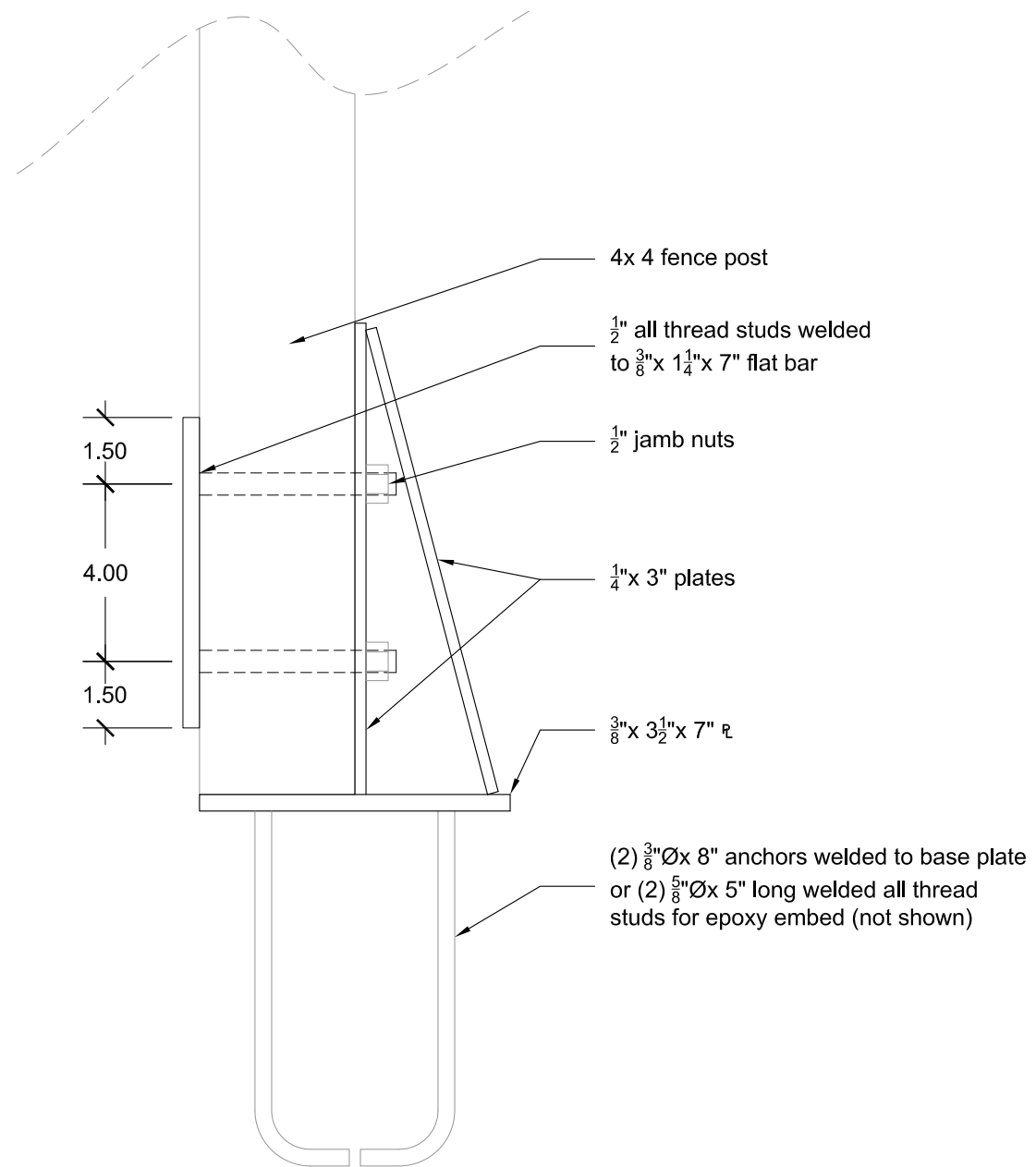
2317 Magnolia Street Oakland CA 94607 510.915.4308 License No. 821952 www.irongrain.com



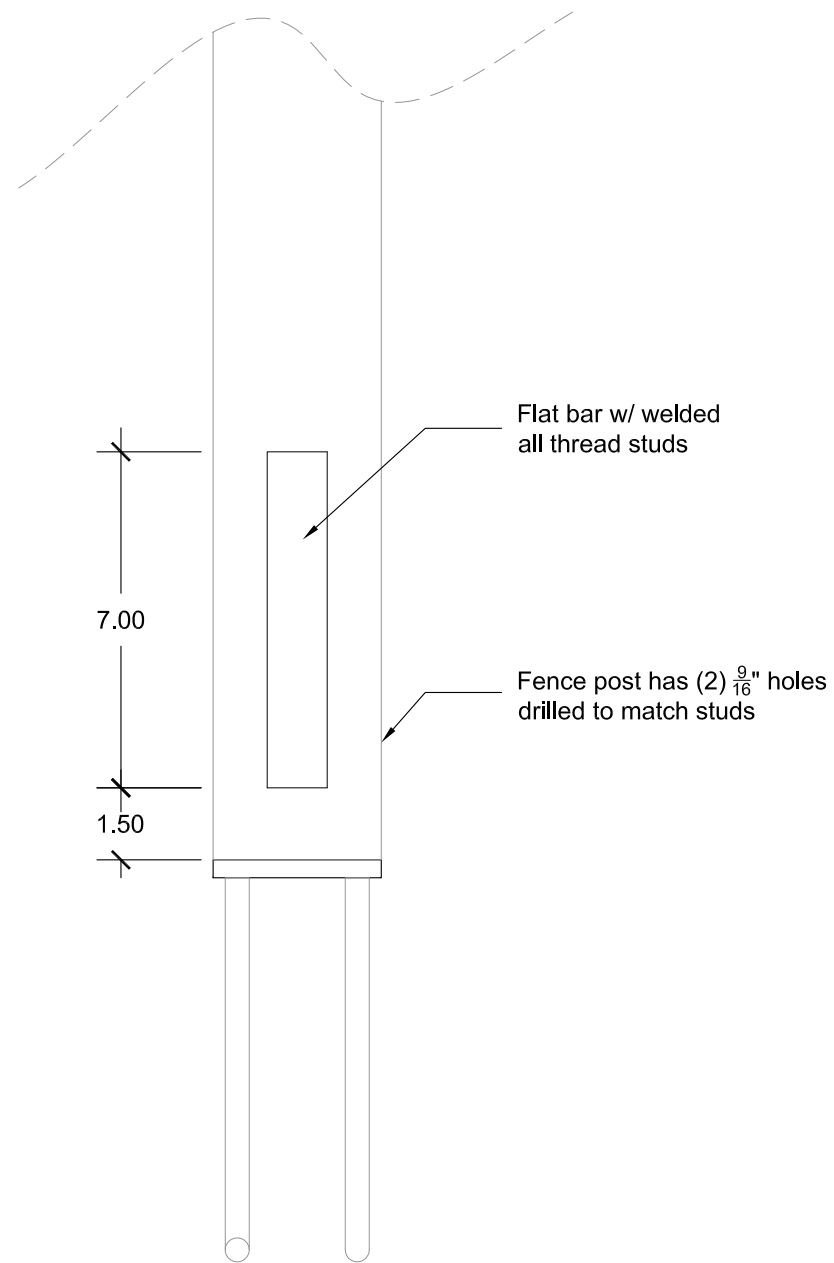
Interior view



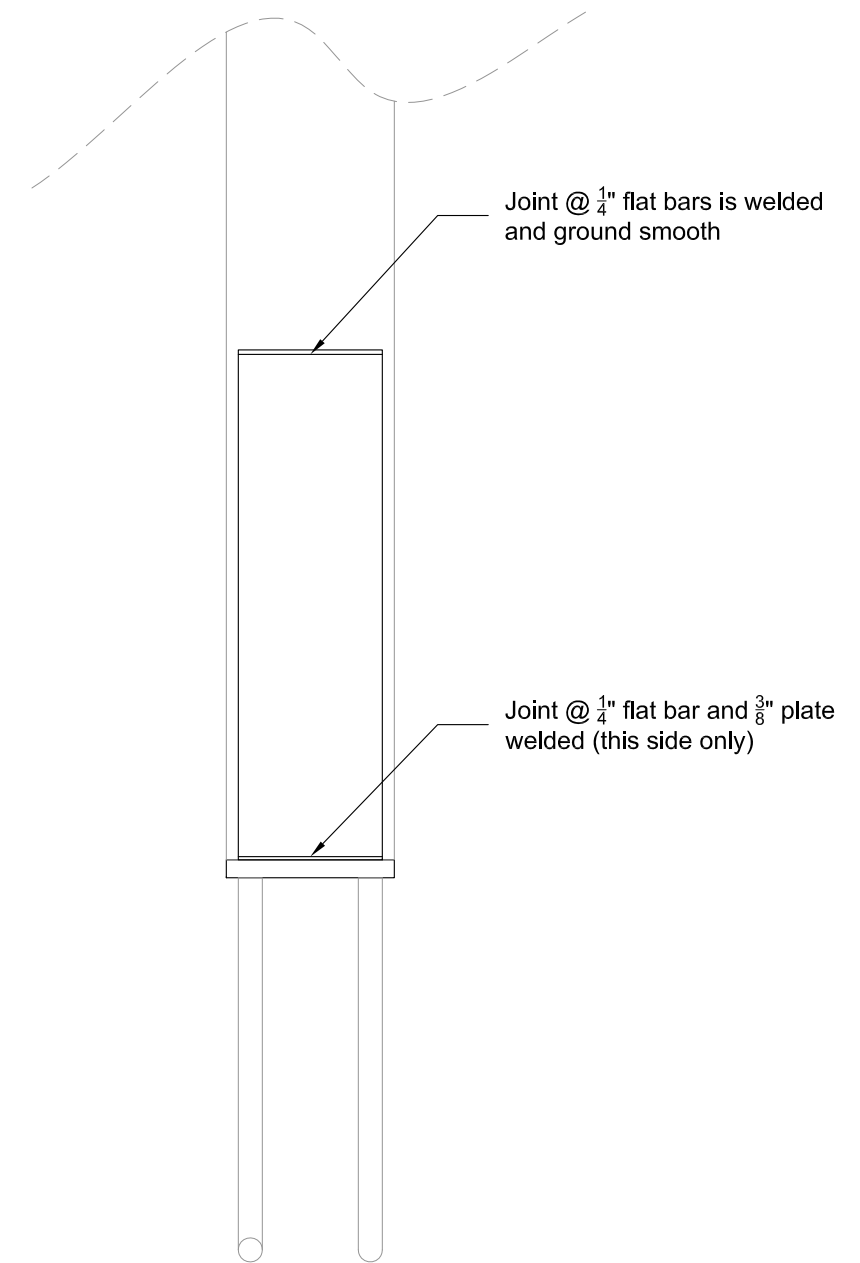
Interior view close-up



Side View 1
Scale : 3" = 1' - 0"



Front View 2
Scale : 3" = 1' - 0"



Back View 3
Scale : 3" = 1' - 0"

- Material Options:
- Galvanized steel
 - 304 Stainless steel
 - w/ black patina finish